

EXC-103SD

CARTON SEALER

SIDE BELT DRIVE



- Versatile carton sealing machine is portable and can be wheeled to the work area required
- Quick tape head removal for easy tape reel change
- Adjustable roller height to suit working area
- Optional top flaps closure
- Optional extended roller seat with bottom holding plate to secure carton during loading
- Backed by our comprehensive range of spares and fully trained service technicians

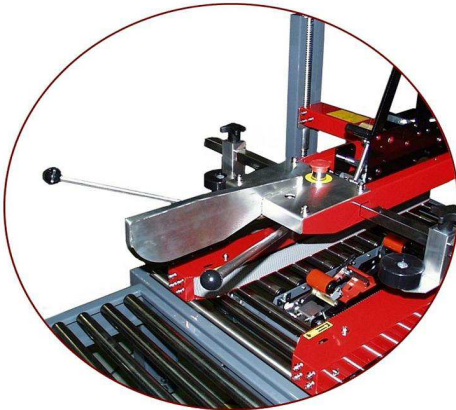
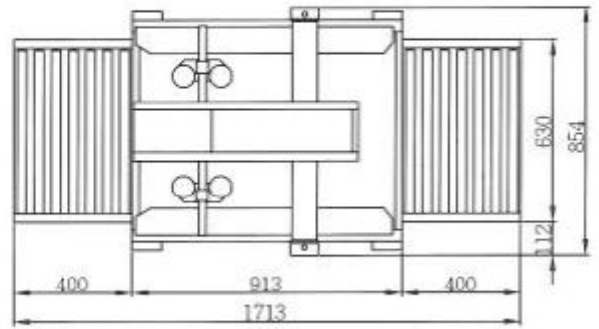
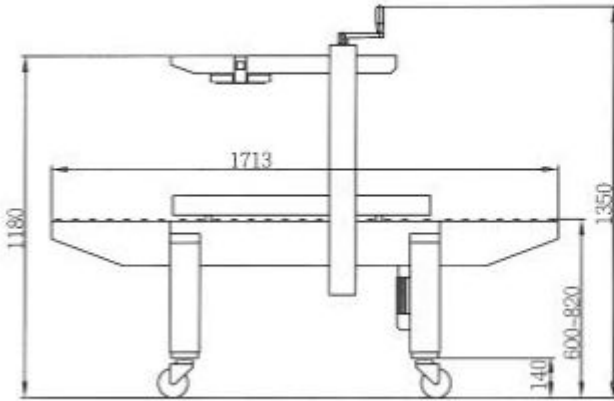
SPECIFICATIONS

Tape	-	36mm, 48mm, 75mm
Speed	-	23m / minute
Capacity	-	(L) 120mm ~ unlimited, (W) 110mm ~ 500mm, (H) 120mm ~ 500mm
Voltage	-	240V Single Phase, 10Amp
Consumption	-	450W

EXC-103SD

CARTON SEALER

SIDE BELT DRIVE



Optional Top Flaps Closure - speeds up the process by reducing manual handling.

Part No: .CAS5150020



Extended Infeed Roller Seat with loading plate - Holds the carton in an upright position to improve the loading process.

Part No: .CAS5150010