

EKH SERIES

HOOD MACHINES

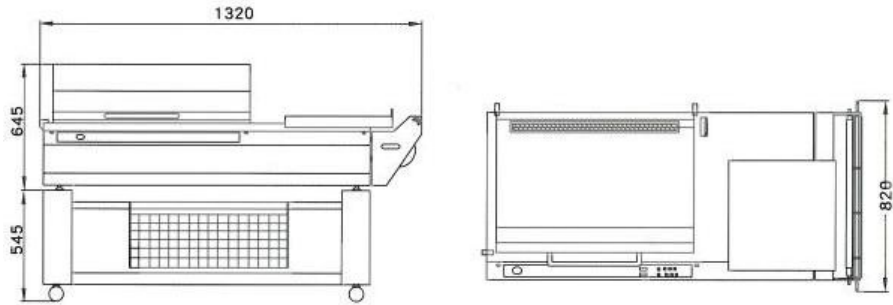


- Ideal for small businesses
- Versatile shrink wrapping machine, that can be wheeled to any work area
- Different machine sizes available to suit product
- Suits low volume production
- Cost effective shrink wrapping solution
- Adjustable loading tray and film carriage to suit product size
- Fully backed by our spare parts and service department

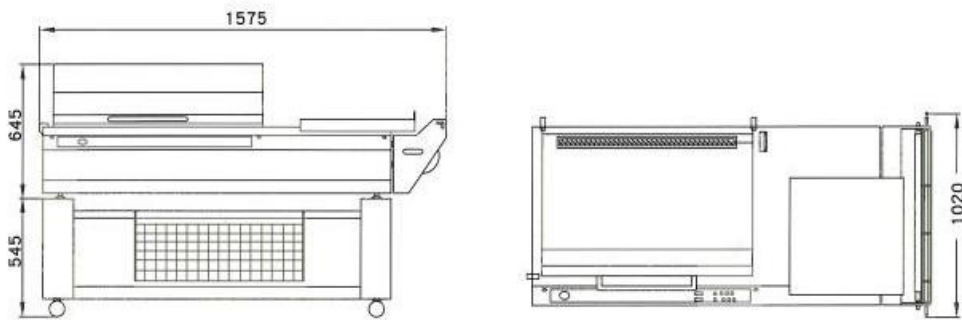
SPECIFICATIONS	EKH-238	EKH-455	EKH-680
Power Requirements	240V, 10Amp	240V, 15Amp	415V 3 Phase 20Amp
Consumption	3.2Kw	3.77Kw	5.3Kw
Effective Consumption	1.3-1.9Kw	1.6-2.3Kw	2.3-3.4Kw
Sealing Dimensions	280mm x 380mm	420mm x 550mm	620mm x 800mm
Max. Package Height	120mm	250mm	250mm
Max. Film Width	360mm C/F x 250mm Diameter	600mm C/F x 250mm Diameter	800mm C/F x 250mm Diameter
Machine Dimensions	1020mmL x 620mmW x 550mmH	1320mmL x 820mmW x 645mmH	1575mmL x 1020mmW x 645mmH

Machines supplied with Trolley

EKH 455



EKH 680



EKH 238

